

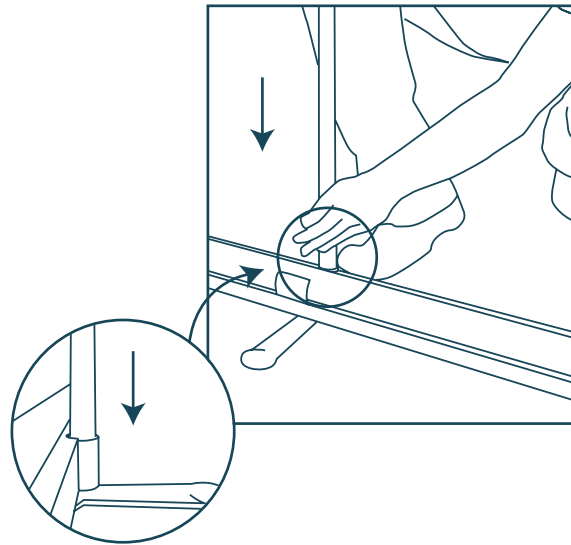
Xibita

ZAP

RETRACTABLE BANNER STAND

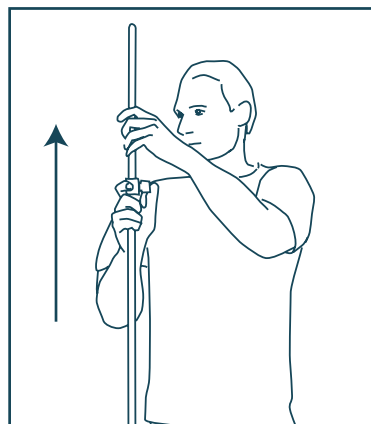
SET-UP GUIDE

STEP 1: GETTING STARTED



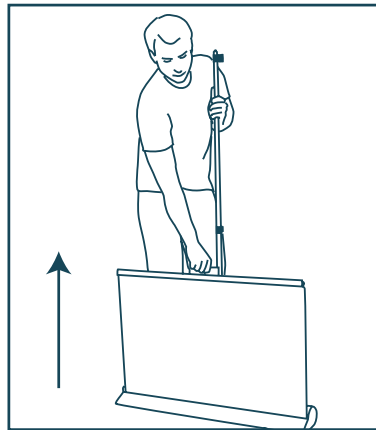
Turn the foot 90° and attach the metal pole by inserting it into the base.

STEP 2: POLE



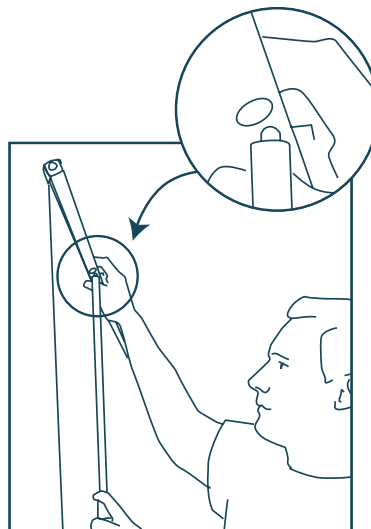
Extend lower pole and fasten lock.

STEP 3: BANNER



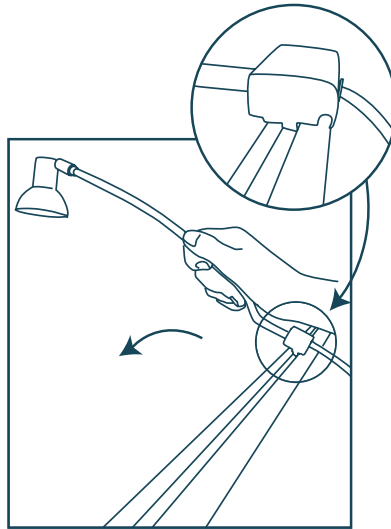
Pull banner from base.

STEP 4: TOP BAR



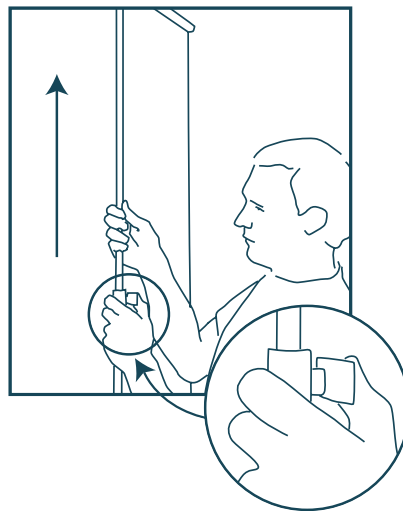
Insert pole into the hole in the top bar.

STEP 5: LIGHT (OPTIONAL)



Attach the I-Lite to the top bar. It fits perfectly into the groove.

STEP 6: UPPER POLE



Fully extend upper pole and fasten lock.

Xibita

ideas@xibita.com | 1 800 663 1737

xibita.com

Beyond Ordinary